

# RCI YD30 Series

## Electronic locks



### Advantages at a glance

- Assist with door alignment
- Automatic deadbolting providing high security
- Easily converts from Fail Safe to Fail Secure
- Versatile Installation



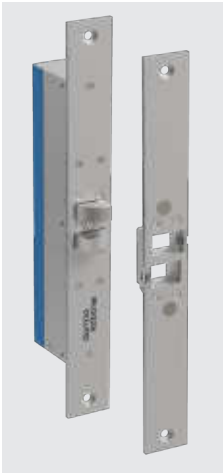
### YD30 Series - Reliable, secure, convenient

The YD30 series electronic locks are motor driven electronic locks that use a collapsing mechanism that is deadbolted when locked. It is designed to secure commercial single or double acting doors. The locks solve two significant challenges found with door locking:

- 1) align a misaligned door
- 2) release when requested, even with excessive load on the door

The YD30 series gives the user the ability to control access in and around a facility and provide traffic reports when desired. Additionally, the YD30 series can be used in a more straightforward system where controlling access to a single door can be implemented with a stand-alone RTE access system.

## YD30 Series is available in two models:



### YD30D Double

A high traffic, low voltage, motor-driven door lock for 180° swing doors. It is typically activated by access control systems and used in commercial double entrance doors in either mortise or surface installation as well as swing-through glass doors where security is paramount, convenience required, and appearances important.

The pivot action of the YD30D bolt pin will 'grab' the strike plate and pull the door into position for a misalignment up to 16mm (+ -8mm, + -5/16")

Found in most market sectors but primarily in commercial, healthcare, airports and government.



### YD30S Single

A high traffic, low voltage, motor-driven door lock for 90° doors. It is typically activated by access control systems and used in single acting pedestrian doors where door alignment or releasing when requested under side load is required.

The pivot action of the YD30S bolt pin will 'grab' the strike plate and pull the door into position for a misalignment up to 8mm (5/16").

It is commonly seen in mortise installations on office doors but also used on single acting glass doors where security is paramount, convenience required, and appearances important.

## YD30 Series benefits

<b>Door alignment</b>	<ul style="list-style-type: none"> <li>• Door misalignment of up to 16mm (+/-8mm) is corrected</li> </ul>
<b>Side load release</b>	<ul style="list-style-type: none"> <li>• The door can have in excess of 1322 lbs (600Kg) being applied and it will still release instantly when requested</li> </ul>
<b>High security</b>	<ul style="list-style-type: none"> <li>• Automatic deadbolting</li> <li>• 2204 lbs (1,000 Kg) holding force</li> <li>• 10mm thick stainless steel bolt pin</li> </ul>
<b>Electronic convenience</b>	<ul style="list-style-type: none"> <li>• Input voltage from 12VDC – 24VDC</li> <li>• Less than 50mA standby current</li> <li>• Reverse polarity and transient protection</li> <li>• Multiple attempts to lock</li> </ul>
<b>Simple configuration</b>	<ul style="list-style-type: none"> <li>• Convert from Fail Safe to Fail Secure by repositioning a single DIP Switch</li> </ul>
<b>Dual monitoring</b>	<ul style="list-style-type: none"> <li>• Door and bolt positions</li> </ul>
<b>Versatile installation</b>	<ul style="list-style-type: none"> <li>• Mortise mount horizontally or vertically, on double acting doors</li> <li>• Installation to metal doors and frames with the addition of the YD30SD208 installation tabs (sold separately)</li> <li>• Surface mount with the aid of the accessories, including mounting onto glass</li> <li>• User selectable fail-safe and fail-secure modes</li> </ul>

# Technical data

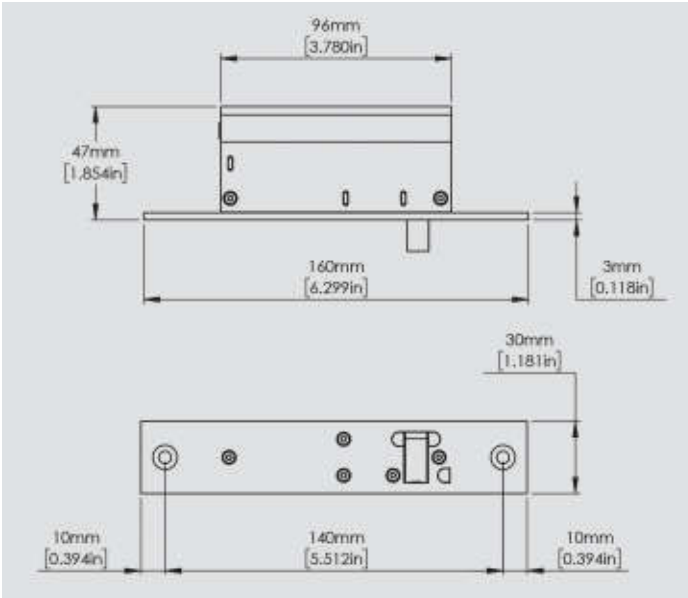
## Specifications

<b>Door Gap:</b>	• 6mm maximum
<b>Holding force:</b>	• 2204 lbs (1,000 Kg)
<b>Sideload (RTE)</b>	• 1322 lbs (600Kg)
<b>Endurance</b>	• Cycle tested to 1,000,000 operations
<b>Bolt pin</b>	• 10mm thick, 13mm extension
<b>Alignment</b>	• 8mm misalignment correction
<b>Voltage</b>	• 12-24 VDC
<b>Current usage</b>	• Standby: 40mA@12VDC, 25mA@24VDC • Peak: 0.75A@12VDC, 0.4A@24VDC
<b>Monitor switch ratings</b>	• 30VDC max, 100mA max
<b>Materials</b>	• Lock / Strike Plate: Stainless Steel 304 Bolt Pin: Stainless Steel 17-4PH
<b>Compliance &amp; certification</b>	• ANSI/UL294 7th Edition, CE, RoHS 2, FCC Part 15 / IC RCM, • UL10C For use in vertical orientation with any UL swinging type fire door frame rated up to and including 3 hours
<b>Package contents YD30S &amp; YD30D</b>	• Lock with Long Strike Plate
<b>Dimensions: YD30D</b>	• 10" x 1-1/4" x 1-7/8" (255 x 30 x 47mm)
<b>Dimensions: YD30S</b>	• 6-1/4" x 1-1/4" x 1-7/8" (160 x 30 x 47mm)
<b>Warranty</b>	• 3 years

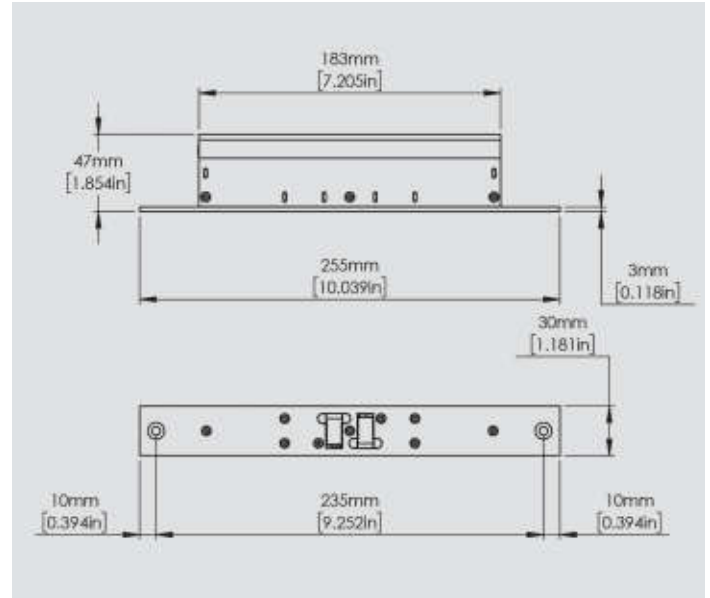
## Accessories

	<b>YD30D</b>	<b>YD30S</b>
<b>Long Strike Plate</b>	YD30D233	YD30S223
<b>Housing</b>	YD30D234	YD30S224
<b>Dress Plate</b>	YD30D236	YD30S226
<b>YD30X Wire loom</b>	YD30SD209	YD30SD209
<b>Fitting tab kit</b>	YD30SD208	YD30SD208

# Diagrams



YD30S



YD30D

Subject to technical alterations.

**Any questions? We would be happy to advise you.**

Contact us at: 1 888 539 7226